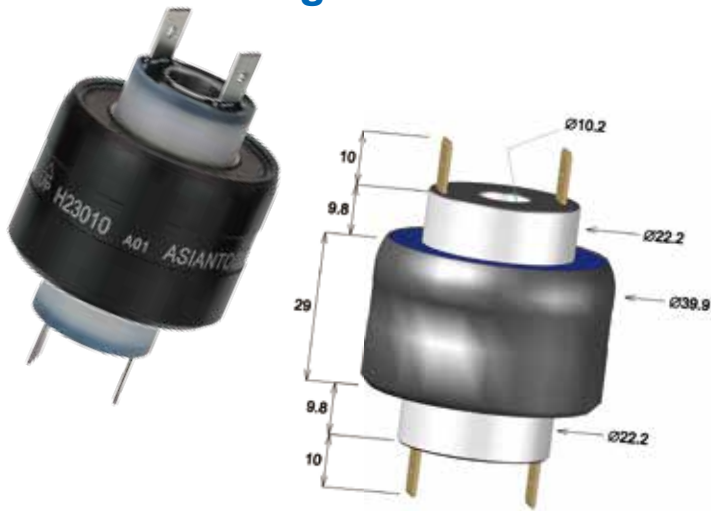
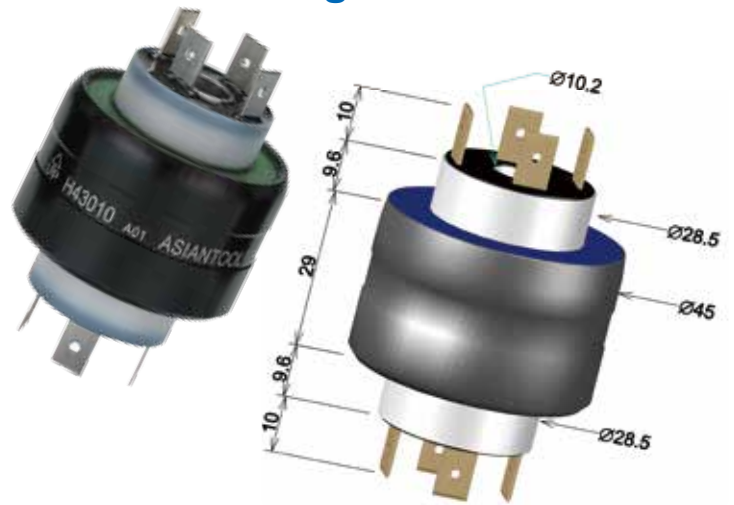




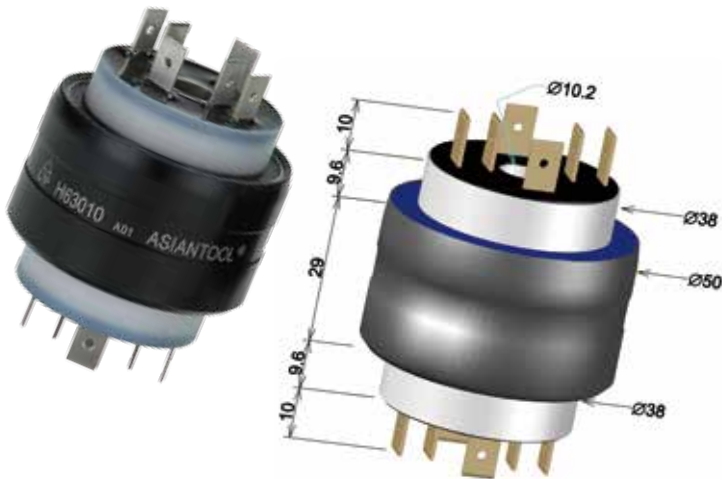
**H23010 2poles/30A/AC250V
Through-bore:10.2mm**



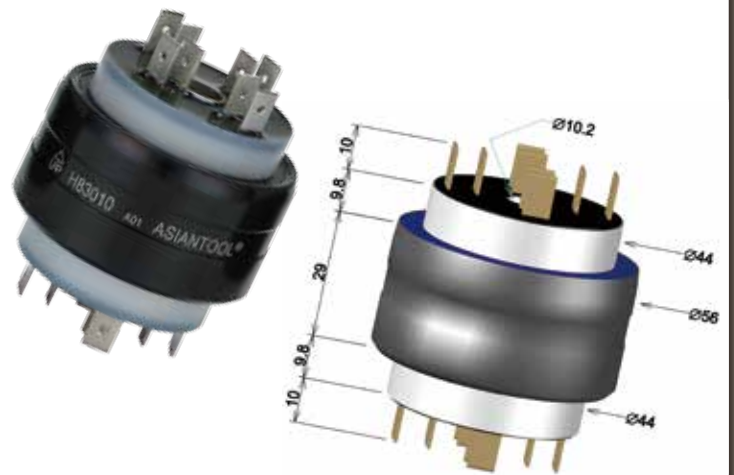
**H43010 4poles/30A/AC250V
Through-bore:10.2mm**



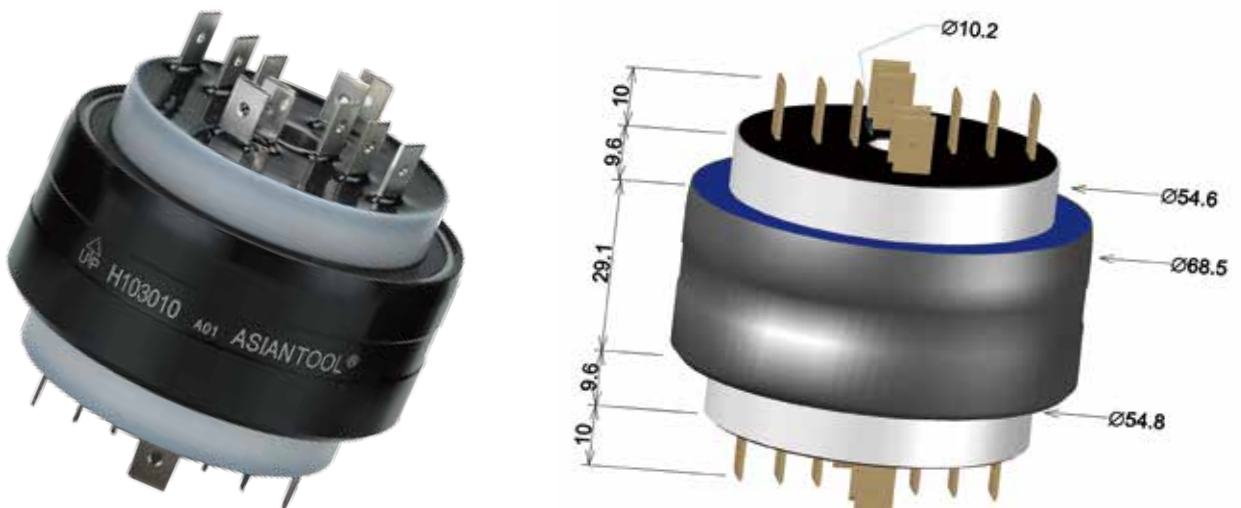
**H63010 6poles/30A/AC250V
Through-bore:10.2mm**



**H83010 8poles/30A/AC250V
Through-bore:10.2mm**



H103010 10poles/30A/AC250V Through-bore:10.2mm

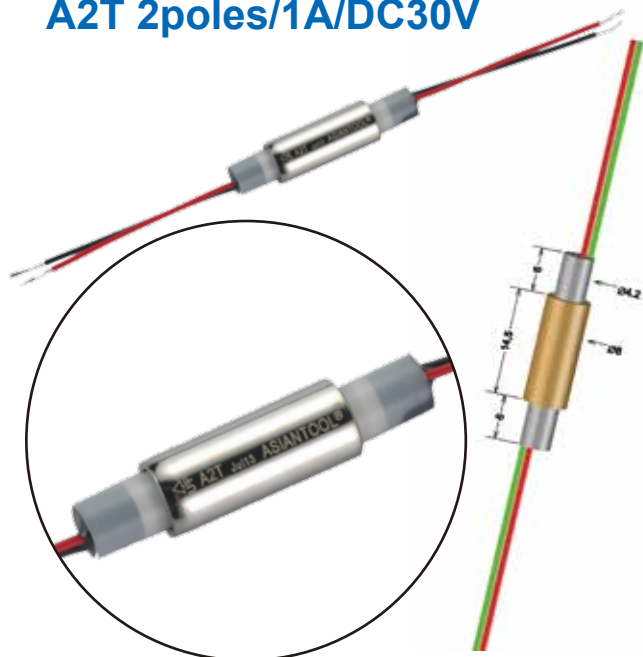




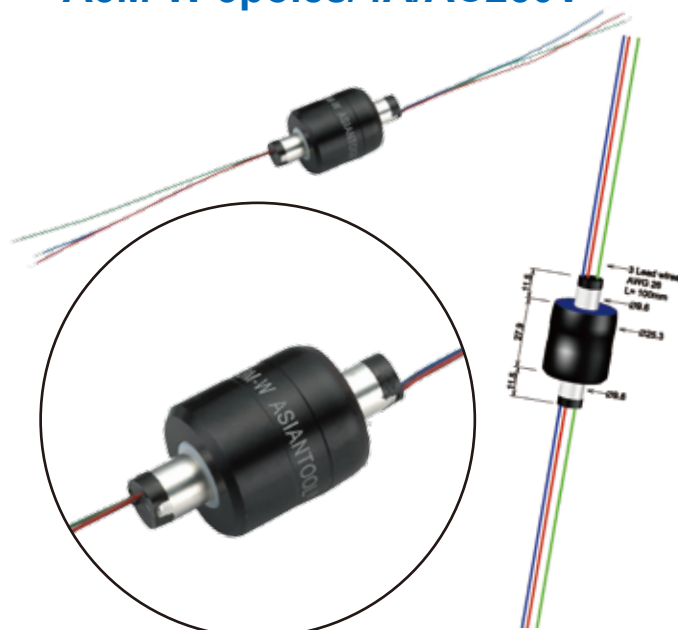
Specification 規格

Model 型號	Conductor Poles 極數	Current Amp. 電流	Voltage AC/V 耐壓	Max. Freq. MHZ 頻率	Max. RPM 最大轉速	Operating Temp. Max/Min °C 使用溫度	Rotating Torque (gm-cm) 轉矩	Insulation Resistance 絕緣阻抗
A2T	2	1	DC30V	200	50	60/-30	30	> 2MΩ
A3M-W	3	4	250	200	1800	60/-30	200	> 25MΩ
A2H6	2	60	250	100	300	60/-30	700	> 25MΩ
21005W	7	100/4	250	100	100	60/-30	1500	> 25MΩ

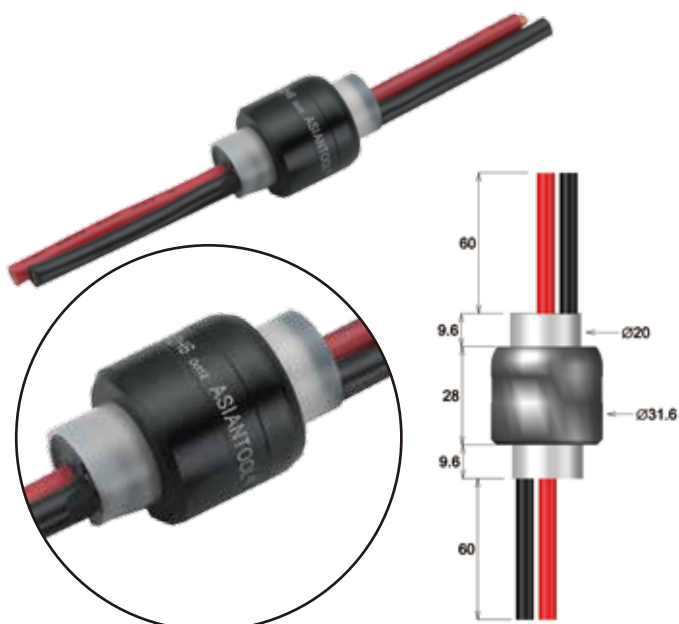
A2T 2poles/1A/DC30V



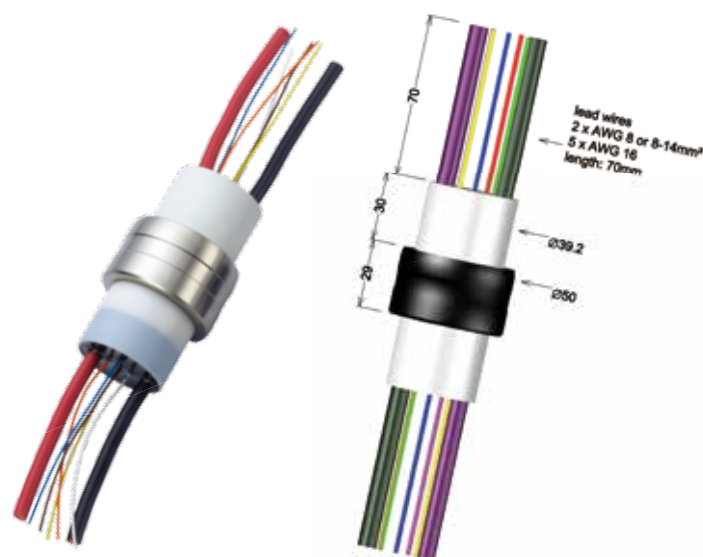
A3M-W 3poles/4A/AC250V



A2H6 2poles/60A/AC250V



21005W 2poles/80-150A/AC250V 5poles/4-10A/AC250V



Non-mercury slip rings 非水銀滑環 鎳合金液態金屬旋轉連接器 CE RoHS compliance gallium alloy liquid metal rotary connectors

SINGLE CONDUCTOR 單極旋轉連接器



Specification 規格

Model 型號	Conductor Poles 極數	Current Amp. 電流	Voltage AC/V 耐壓	Max. Freq. MHZ 頻率	Max. RPM 最大轉速	Operating Temp. Max/Min °C 使用溫度	Rotating Torque (gm-cm) 轉矩	Insulation Resistance 絕緣阻抗
A1M NM	1	10	N/A	20	1000	+80 / +8 - 0*	35	N/A
A1MT NM	1	10	N/A	20	1000	+80 / +8 - 0*	35	N/A
A1M NM	1	20	N/A	20	1000	+80 / +8 - 0*	50	N/A
A1M5 NM	1	50	N/A	20	800	+80 / +8 - 0*	70	N/A
A1M12 NM	1	120	N/A	20	600	+80 / +8 - 0*	150	N/A
A1HH NM	1	150	N/A	20	600	+80 / +8 - 0*	250	N/A
A1H25S NM	1	250	N/A	20	600	+80 / +8 - 0*	250	N/A
A1H25PS NM	1	250	N/A	20	600	+80 / +8 - 0*	250	N/A
A1H35S NM	1	350	N/A	20	500	+80 / +8 - 0*	300	N/A
A1H50S NM	1	500	N/A	20	200	+80 / +8 - 0*	700	N/A
A1H50PS NM	1	500	N/A	20	200	+80 / +8 - 0*	700	N/A
A1H65S NM	1	650	N/A	20	100	+80 / +8 - 0*	1000	N/A
A1H65PS NM	1	650	N/A	20	100	+80 / +8 - 0*	1000	N/A
A1H90PS NM	1	900	N/A	20	100	+80 / +8 - 0*	1100	N/A
A1H150PS NM	1	1500	N/A	20	80	+80 / +8 - 0*	2000	N/A
A1H300PS NM	1	3000	N/A	20	20	+80 / +8 - 0*	3000	N/A
A1H500FS NM	1	5000	N/A	20	10	+80 / +8 - 0*	5000	N/A
A1H750FS NM	1	7500	N/A	20	10	+80 / +8 - 0*	7000	N/A

- *
 • The minimum temperature for liquid metal 46L
 • Solid temp is : + 7.6°C
 • There is a “super cool” effect, when a slip ring contain liquid metal 46L put in the room temp. 0°C, the liquid metal will not be solid immediately, there will have a 2 – 4 days range the liquid metal 46L will keep in liquid status, just like the river water still run in the 0°C
 • The liquid metal slip rings are recommended to be used within 3 months after shipping. If the slip ring has rotation not smooth condition after 3 months storage in the room temp. undertemp. +8°C. Please put it in the warm room (over 50 °C) to recover the liquid metal status.
 • The liquid metal is not so sticky like mercury which can be sticky (touched) on the silver plated conductor surface. The liquid metal slip rings'vibration resistance ability is much less than mercury types. Any light vibration, impact, shock will make the liquid metal to move out from the main conductor chamber to another conductor's room. That will make short circuit easily.

A1M NM (non-mercury)
1pole 10A



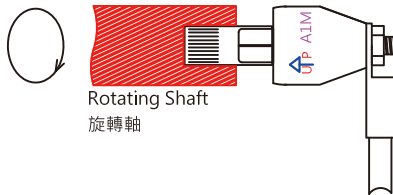
A1MS NM



AIM-1 Receptacles 金屬接頭

SUS body + SUS bearing

● Mounting 安裝



Holding by electric wire 以電線拉住

A1MT NM (non-mercury)
1pole 10A

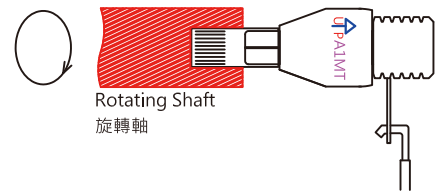
A1MTS NM

SUS body + SUS bearing



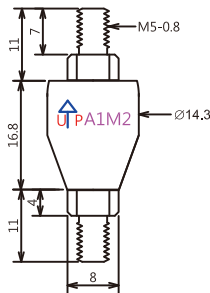
AIM-5 Plastic cap 塑膠插頭

● Mounting 安裝



Holding by electric wire 以電線拉住

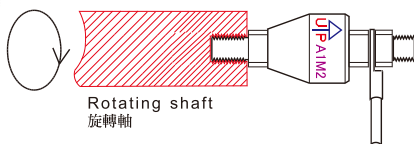
A1M2 NM (non-mercury)
1pole 20A



A1M2S NM



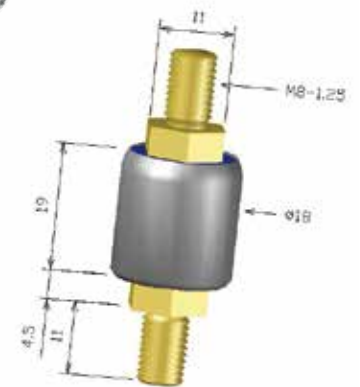
● Mounting 安裝



Holding by electric wire 以電線拉住

SUS body + SUS bearing

A1M5 NM (non-mercury)
1pole 50A



A1M5S NM



SUS body + SUS bearing

A1M12 NM (non-mercury)
1pole 120A

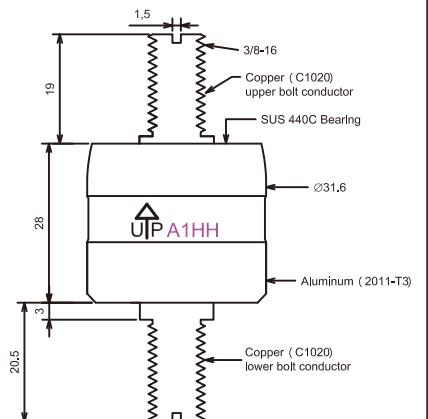


A1M12S NM

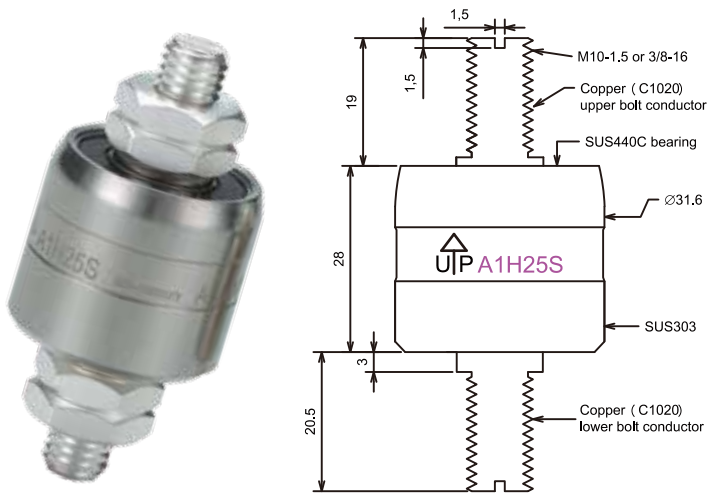


SUS body + SUS bearing

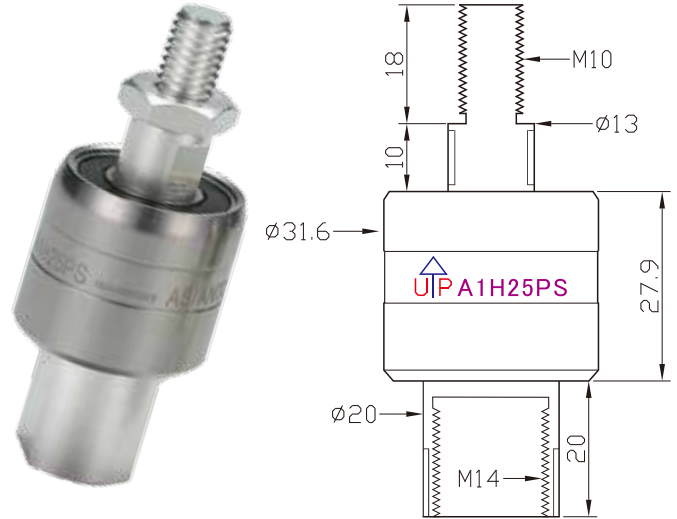
A1HH NM (non-mercury)
1pole 250A



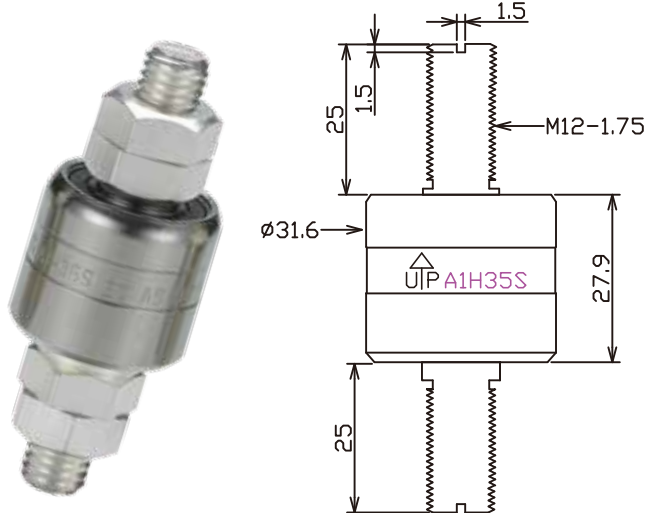
A1H25S NM 1pole 250A (non-mercury)



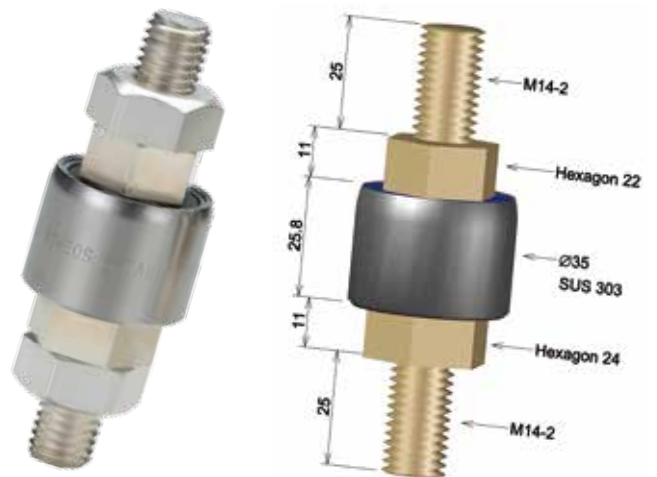
A1H25PS NM 1pole 250A (non-mercury)



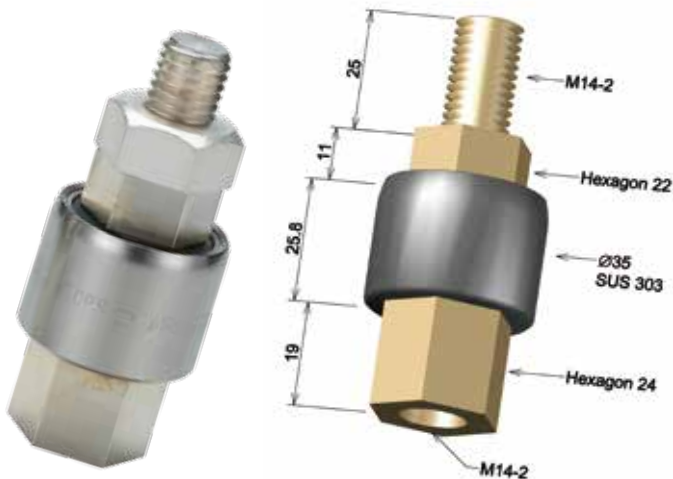
A1H35S NM 1pole 350A (non-mercury)



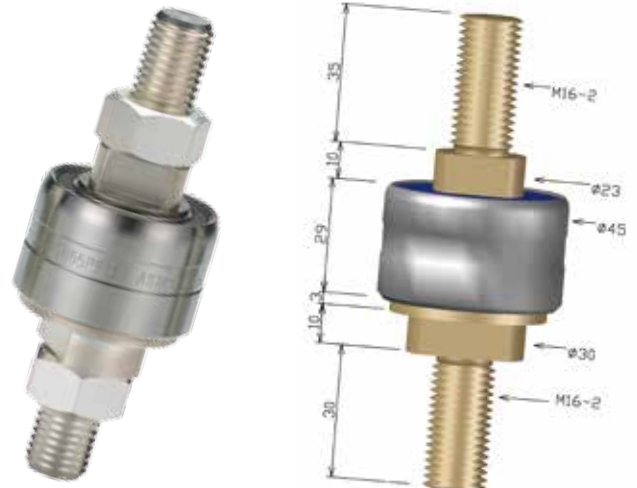
A1H50S NM 1pole 500A (non-mercury)



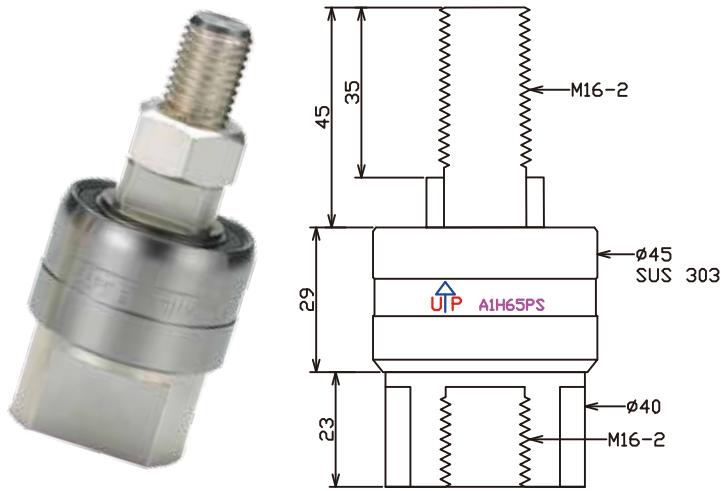
A1H50PS NM 1pole 500A (non-mercury)



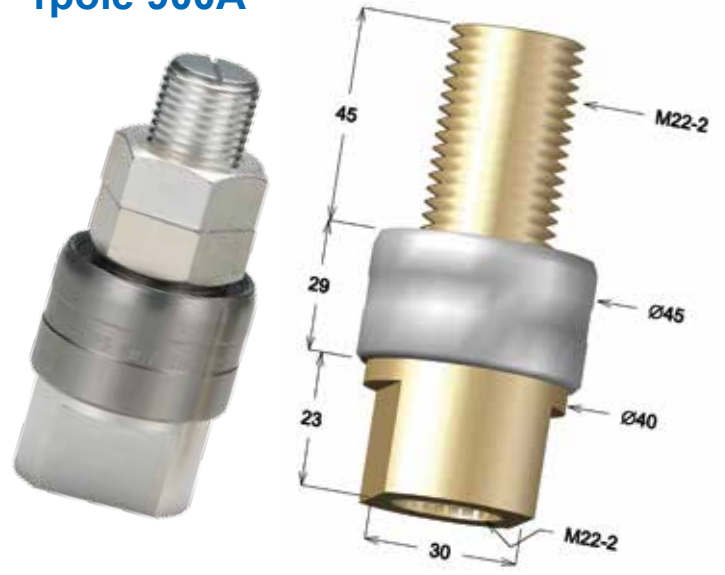
A1H65S NM 1pole 650A (non-mercury)



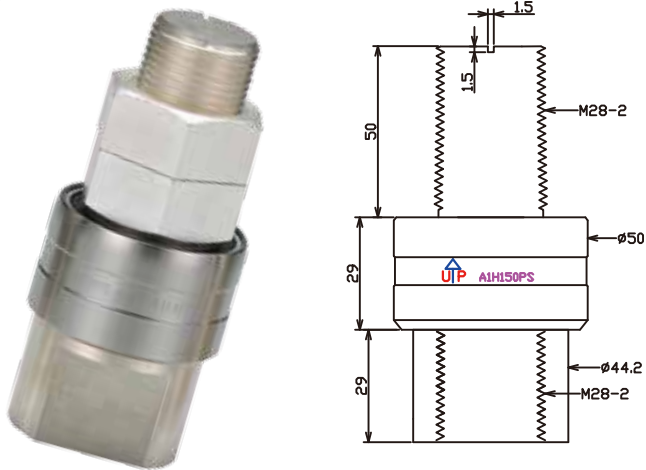
A1H65PS NM (non-mercury)
1pole 650A



A1H90PS NM (non-mercury)
1pole 900A



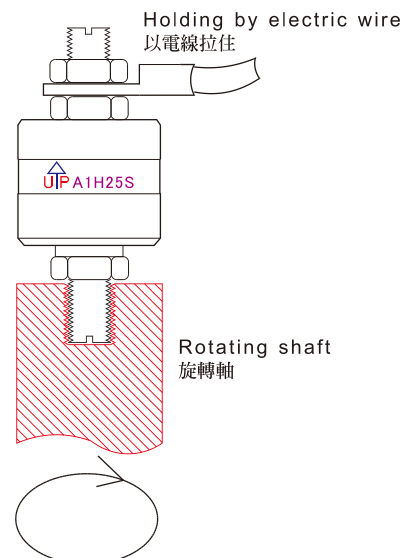
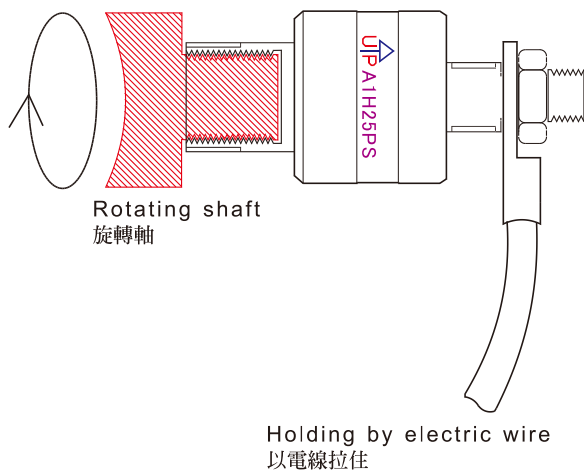
A1H150PS NM (non-mercury)
1pole 1500A



A1H300PS NM (non-mercury)
1pole 3000A



Mounting 安裝



Non-mercury slip rings 非水銀滑環 鎳合金液態金屬旋轉連接器 CE RoHS compliance gallium alloy liquid metal rotary connectors

MULTI CONDUCTOR 多極旋轉連接器



Specification 規格

Model 型號	Conductor Poles 極數	Current Amp. 電流	Voltage AC/V 耐壓	Max. Freq. MHZ 頻率	Max. RPM 最大轉速	Operating Temp. Max/Min °C 使用溫度	Rotating Torque (gm-cm) 轉矩	Insulation Resistance 絕緣阻抗
A2S NM	2	4	250	20	1000	+80 / +8 - 0*	75	> 25MΩ
A3S NM	3	4	250	20	600	+80 / +8 - 0*	100	> 25MΩ
A2H NM	2	30	250	20	600	+80 / +8 - 0*	200	> 25MΩ
A3M NM	3	30/4	250	20	600	+80 / +8 - 0*	200	> 25MΩ
A3H NM	3	30	250	20	400	+80 / +8 - 0*	400	> 25MΩ
A4H NM	4	30/4	250	20	400	+80 / +8 - 0*	400	> 25MΩ
A6H NM	6	30/4	250	20	100	+80 / +8 - 0*	700	> 25MΩ
A8H NM	8	30/4	250	20	80	+80 / +8 - 0*	1000	> 25MΩ
A1030 NM	10	30/4	250	20	30	+80 / +8 - 0*	1500	> 25MΩ
A1230 NM	12	30/4	250	20	20	+80 / +8 - 0*	2000	> 25MΩ
A1430 NM	14	30/4	250	20	10	+80 / +8 - 0*	3000	> 25MΩ

*

- The minimum temperature for liquid metal 46L
- Solid temp is : + 7.6°C
- There is a "super cool" effect, when a slip ring contain liquid metal 46L put in the room temp. 0°C, the liquid metal will not be solid immediately, there will have a 2 – 4 days range the liquid metal 46L will keep in liquid status, just like the river water still run in the 0°C
- The liquid metal slip rings are recommended to be used within 3 months after shipping. If the slip ring has rotation not smooth condition after 3 months storage in the room temp. undertemp. +8°C. Please put it in the warm room (over 50 °C) to recover the liquid metal status.
- The liquid metal is not so sticky like mercury which can be sticky (touched) on the silver plated conductor surface. The liquid metal slip rings'vibration resistance ability is much less than mercury types. Any light vibration, impact, shock will make the liquid metal to move out from the main conductor chamber to another conductor's room. That will make short circuit easily.



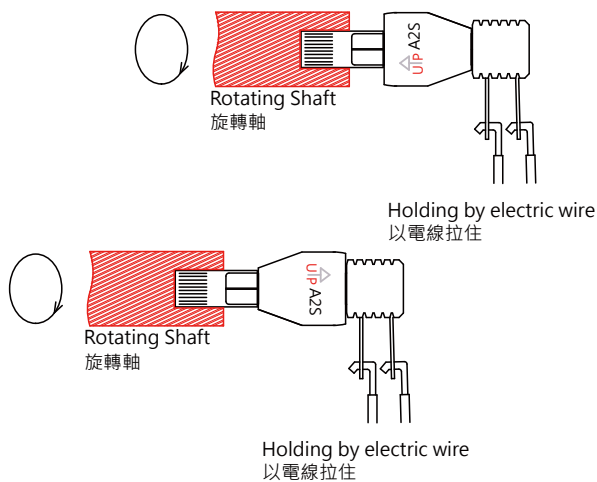
A2S NM (non-mercury) 2poles/4A/AC250V



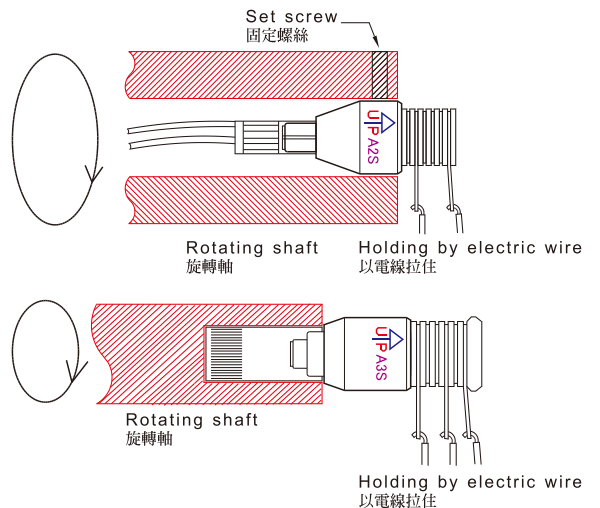
A3S NM (non-mercury) 3pole/4A/AC250V



Mounting 安裝



Mounting 安裝



A2H NM (non-mercury) 2poles/30A/AC250V



A3M NM (non-mercury) 1pole/30A & 2poles/4A AC250V

