



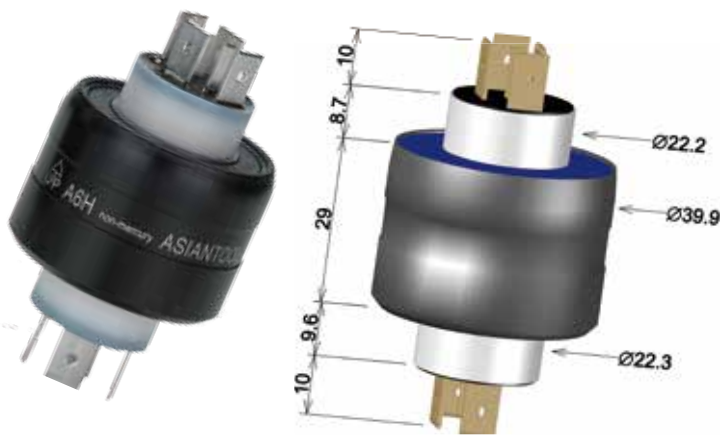
A3H NM (non-mercury)
3poles/30A/AC250V



A4H NM (non-mercury)
2poles/30A & 2poles/4A AC250V



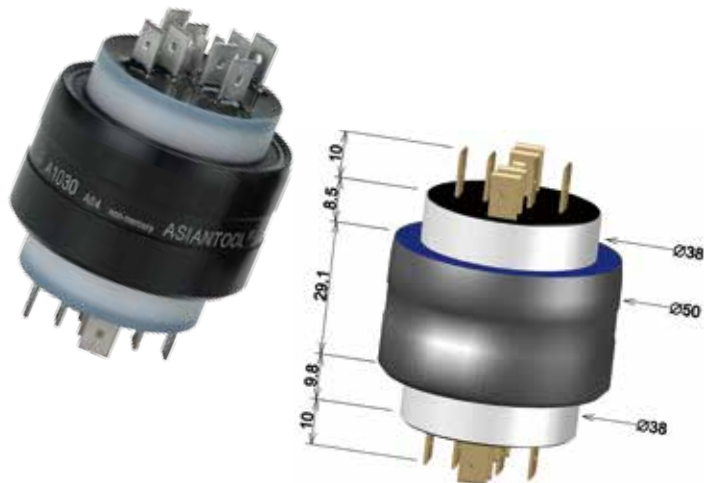
A6H NM (non-mercury)
4poles/30A & 2poles/4A AC250V



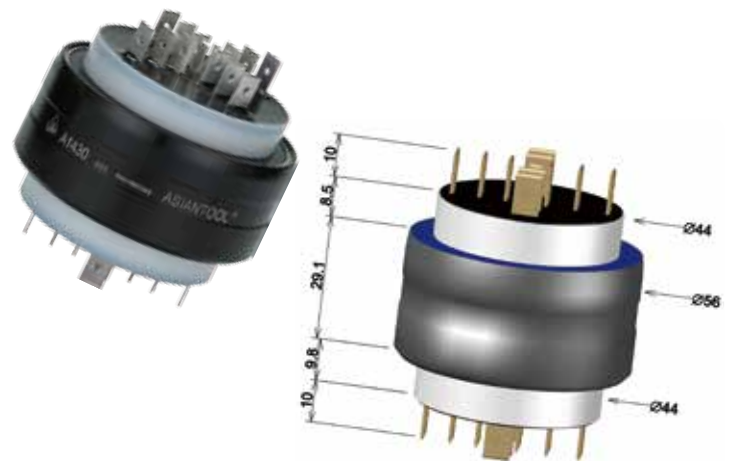
A8H NM (non-mercury)
6poles/30A & 2poles/4A AC250V



A1030 NM (non-mercury)
8poles/30A & 2poles/4A AC250V



A1230 NM (non-mercury)
10poles/30A & 2poles/4A AC250V



Non-mercury slip rings 非水銀滑環 鎳合金液態金屬旋轉連接器 CE RoHS compliance gallium alloy liquid metal rotary connectors

HIGH VOLTAGE MULTI CONDUCTOR 高電壓多極旋轉連接器



Specification 規格

Model 型號	Conductor Poles 極數	Current Amp. 電流	Voltage AC/V 耐壓	Max. Freq. MHZ 頻率	Max. RPM 最大轉速	Operating Temp. Max/Min °C 使用溫度	Rotating Torque (gm-cm) 轉矩	Insulation Resistance 絕緣阻抗
A2HV NM	2	30	500	20	400	+80 / +8 - 0*	400	> 50 MΩ
A3HV NM	3	30	500	20	100	+80 / +8 - 0*	700	> 50 MΩ
A4HV NM	4	30	500	20	80	+80 / +8 - 0*	1000	> 50 MΩ
A5HV NM	5	30	500	20	30	+80 / +8 - 0*	1500	> 50 MΩ
A6HV NM	6	30	500	20	20	+80 / +8 - 0*	2000	> 50 MΩ
A7HV NM	7	30	500	20	10	+80 / +8 - 0*	3000	> 50 MΩ
A2V2S NM	2	4	250	20	100	+80 / +8 - 0*	700	> 25 MΩ
	2	30	500					> 50 MΩ
A3V4S NM	2	4	250	20	30	+80 / +8 - 0*	1500	> 25 MΩ
	2	30	250					> 25 MΩ
	3	30	500					> 50 MΩ
A2P NM	2	30	380	20	600	+80 / +8 - 0*	300	> 40 MΩ
A4P NM	2	4	250	20	100	+80 / +8 - 0*	700	> 25 MΩ
	2	30	500					> 50 MΩ

*

- The minimum temperature for liquid metal 46L
- Solid temp is : + 7.6°C
- There is a "super cool" effect, when a slip ring contain liquid metal 46L put in the room temp. 0°C, the liquid metal will not be solid immediately, there will have a 2 – 4 days range the liquid metal 46L will keep in liquid status, just like the river water still run in the 0°C
- The liquid metal slip rings are recommended to be used within 3 months after shipping. If the slip ring has rotation not smooth condition after 3 months storage in the room temp. undertemp. +8°C. Please put it in the warm room (over 50 °C) to recover the liquid metal status.
- The liquid metal is not so sticky like mercury which can be sticky (touched) on the silver plated conductor surface. The liquid metal slip rings' vibration resistance ability is much less than mercury types. Any light vibration, impact, shock will make the liquid metal to move out from the main conductor chamber to another conductor's room. That will make short circuit easily.



A2HV NM (non-mercury)
2poles/30A/AC500V



A3HV NM (non-mercury)
3poles/30A/AC500V



A4HV NM (non-mercury)
4poles/30A/AC500V



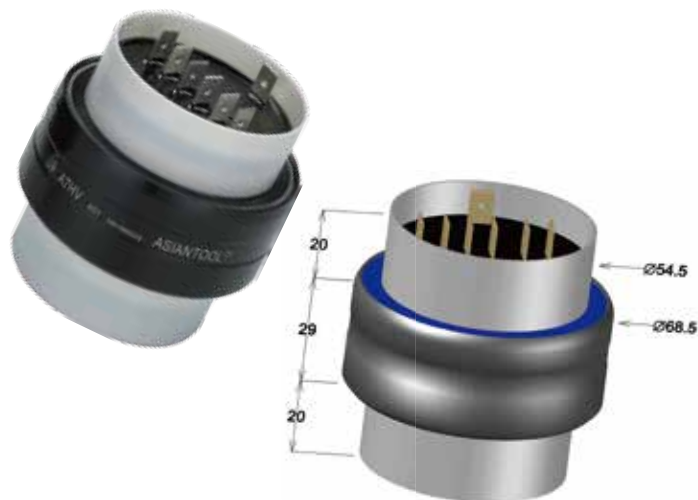
A5HV NM (non-mercury)
5poles/30A/AC500V



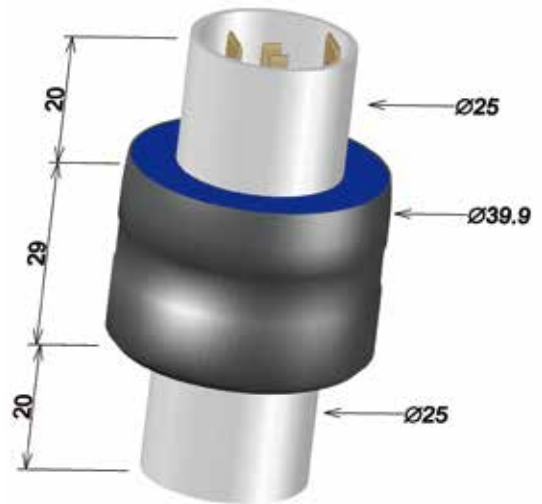
A6HV NM (non-mercury)
6poles/30A/AC500V



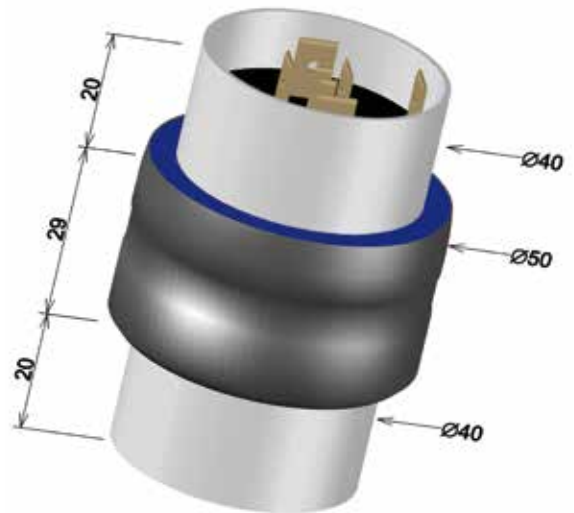
A7HV NM (non-mercury)
7poles/30A/AC500V



A2V2S NM (non-mercury)
 2poles/4A/AC250V &
 2poles/30A/AC500V



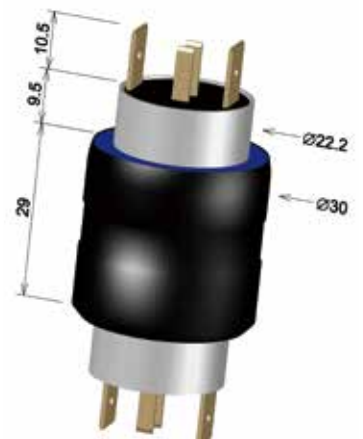
A3V4S NM (non-mercury)
 2poles/4A/AC250V &
 2poles/30A/AC250V &
 2poles/30A/AC500V



A2P NM (non-mercury)
 2poles/30A/AC380V



A4P NM (non-mercury)
 2poles/4A/AC250V &
 2poles/30A/AC500V



Non-mercury slip rings 非水銀滑環 鎳合金液態金屬旋轉連接器 CE RoHS compliance gallium alloy liquid metal rotary connectors THROUGH BORE MULTI CONDUCTORS (16.2mm) 過孔式多極旋轉連接器 (16.2mm)



Specification 規格

Model 型號	Through -bore ϕ 中空孔徑	Conductor Poles 極數	Current Amp. 電流	Voltage AC/V 耐壓	Max. Freq. MHZ 頻率	Max. RPM 最大轉速	Operating Temp. Max/Min $^{\circ}\text{C}$ 使用溫度	Rotating Torque (gm-cm) 轉矩	Insulation Resistance 絕緣阻抗
H23016 NM	16.2mm	2	30	250	20	80	+80 / +8 - 0*	1000	> 25M Ω
H43016 NM	16.2mm	4	30	250	20	30	+80 / +8 - 0*	1500	> 25M Ω
H63016 NM	16.2mm	6	30	250	20	20	+80 / +8 - 0*	2000	> 25M Ω
H83016 NM	16.2mm	6	30	250	20	10	+80 / +8 - 0*	3000	> 25M Ω

*

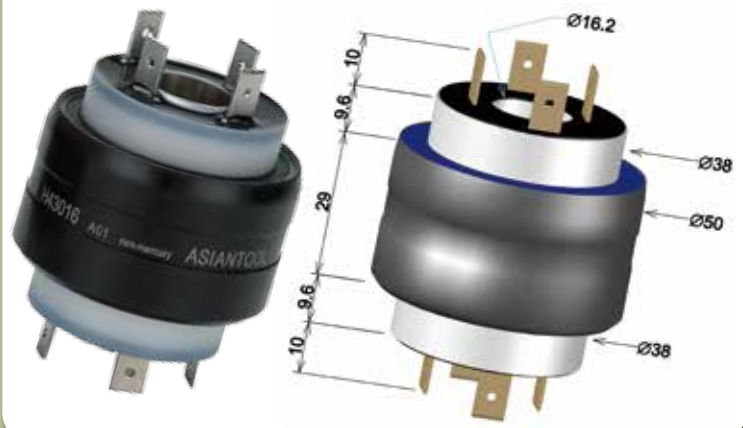
- The minimum temperature for liquid metal 46L
- Solid temp is : + 7.6 $^{\circ}\text{C}$
- There is a "super cool" effect, when a slip ring contain liquid metal 46L put in the room temp. 0 $^{\circ}\text{C}$, the liquid metal will not be solid immediately, there will have a 2 – 4 days range the liquid metal 46L will keep in liquid status, just like the river water still run in the 0 $^{\circ}\text{C}$
- The liquid metal slip rings are recommended to be used within 3 months after shipping. If the slip ring has rotation not smooth condition after 3 months storage in the room temp. undertemp. +8 $^{\circ}\text{C}$. Please put it in the warm room (over 50 $^{\circ}\text{C}$) to recover the liquid metal status.
- The liquid metal is not so sticky like mercury which can be sticky (touched) on the silver plated conductor surface. The liquid metal slip rings' vibration resistance ability is much less than mercury types. Any light vibration, impact, shock will make the liquid metal to move out from the main conductor chamber to another conductor's room. That will make short circuit easily.



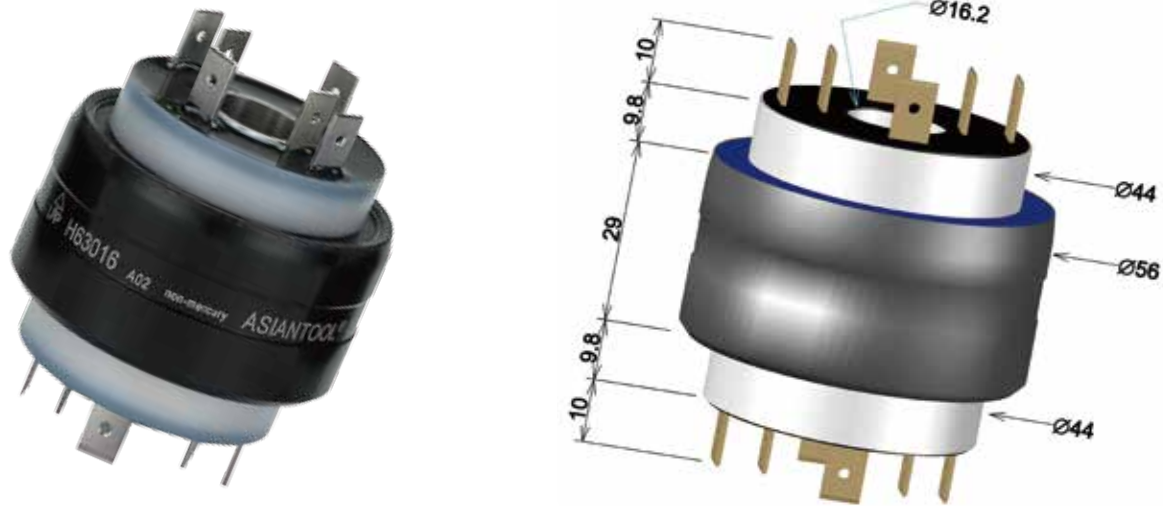
H23016 NM (non-mercury)
2poles/30A/AC250V
Through-bore:16.2mm



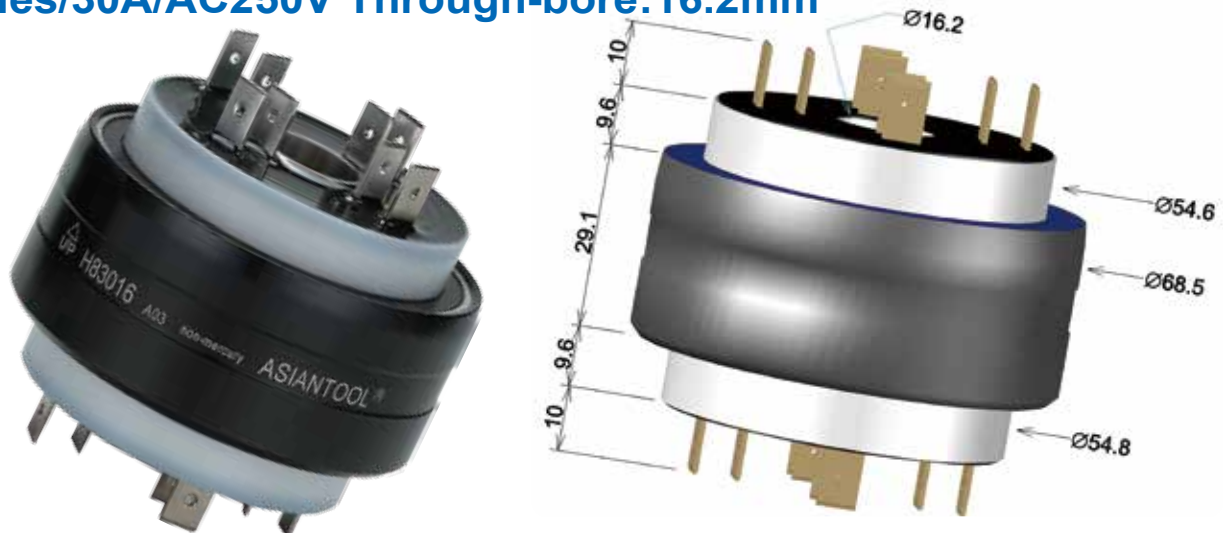
H43016 NM (non-mercury)
4poles/30A/AC250V
Through-bore:16.2mm



H63016 NM (non-mercury)
6poles/30A/AC250V Through-bore:16.2mm



H83016 NM (non-mercury)
8poles/30A/AC250V Through-bore:16.2mm



Non-mercury slip rings 非水銀滑環 鎳合金液態金屬旋轉連接器
CE RoHS compliance gallium alloy liquid metal rotary connectors
THROUGH BORE MULTI CONDUCTORS (10.2mm) 過孔式多極旋轉連接器 (10.2mm)



Specification 規格

Model 型號	Through-bore ψ 中空孔徑	Conductor Poles 極數	Current Amp. 電流	Voltage AC/V 耐壓	Max. Freq. MHZ 頻率	Max. RPM 最大轉速	Operating Temp. Max/Min °C 使用溫度	Rotating Torque (gm-cm) 轉矩	Insulation Resistance 絕緣阻抗
H23010 NM	10.2mm	2	30	250	20	100	+80 / +8 - 0*	700	> 25M Ω
H43010 NM	10.2mm	4	30	250	20	80	+80 / +8 - 0*	1000	> 25M Ω
H63010 NM	10.2mm	6	30	250	20	30	+80 / +8 - 0*	1500	> 25M Ω
H83010 NM	10.2mm	8	30	250	20	20	+80 / +8 - 0*	2000	> 25M Ω
H103010NM	10.2mm	10	30	250	20	10	+80 / +8 - 0*	3000	> 25M Ω

*

- The minimum temperature for liquid metal 46L
- Solid temp is : + 7.6°C
- There is a "super cool" effect, when a slip ring contain liquid metal 46L put in the room temp. 0°C, the liquid metal will not be solid immediately, there will have a 2 – 4 days range the liquid metal 46L will keep in liquid status, just like the river water still run in the 0°C
- The liquid metal slip rings are recommended to be used within 3 months after shipping. If the slip ring has rotation not smooth condition after 3 months storage in the room temp. undertemp. +8°C. Please put it in the warm room (over 50 °C) to recover the liquid metal status.
- The liquid metal is not so sticky like mercury which can be sticky (touched) on the silver plated conductor surface. The liquid metal slip rings'vibration resistance ability is much less than mercury types. Any light vibration, impact, shock will make the liquid metal to move out from the main conductor chamber to another conductor's room. That will make short circuit easily.